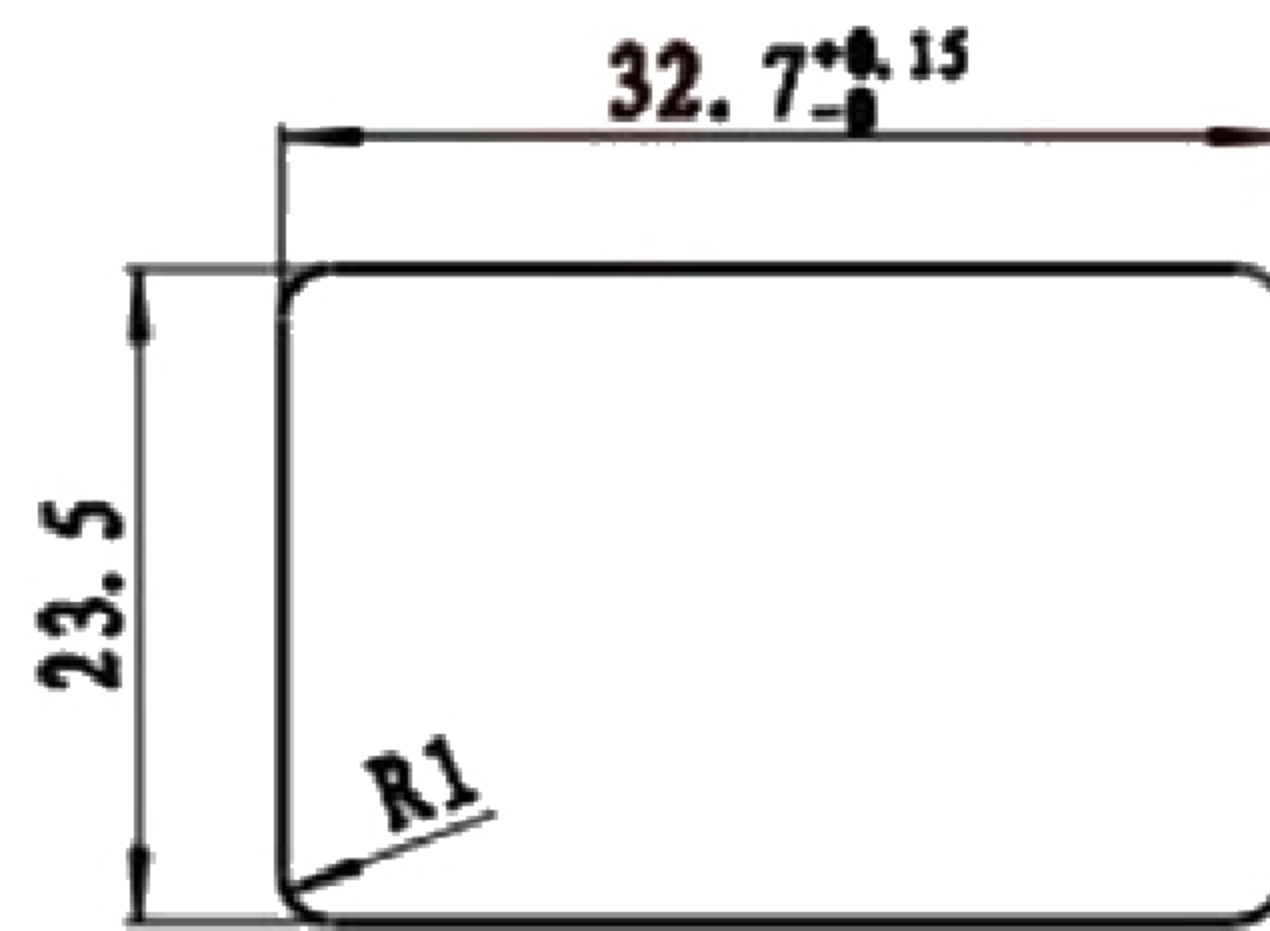
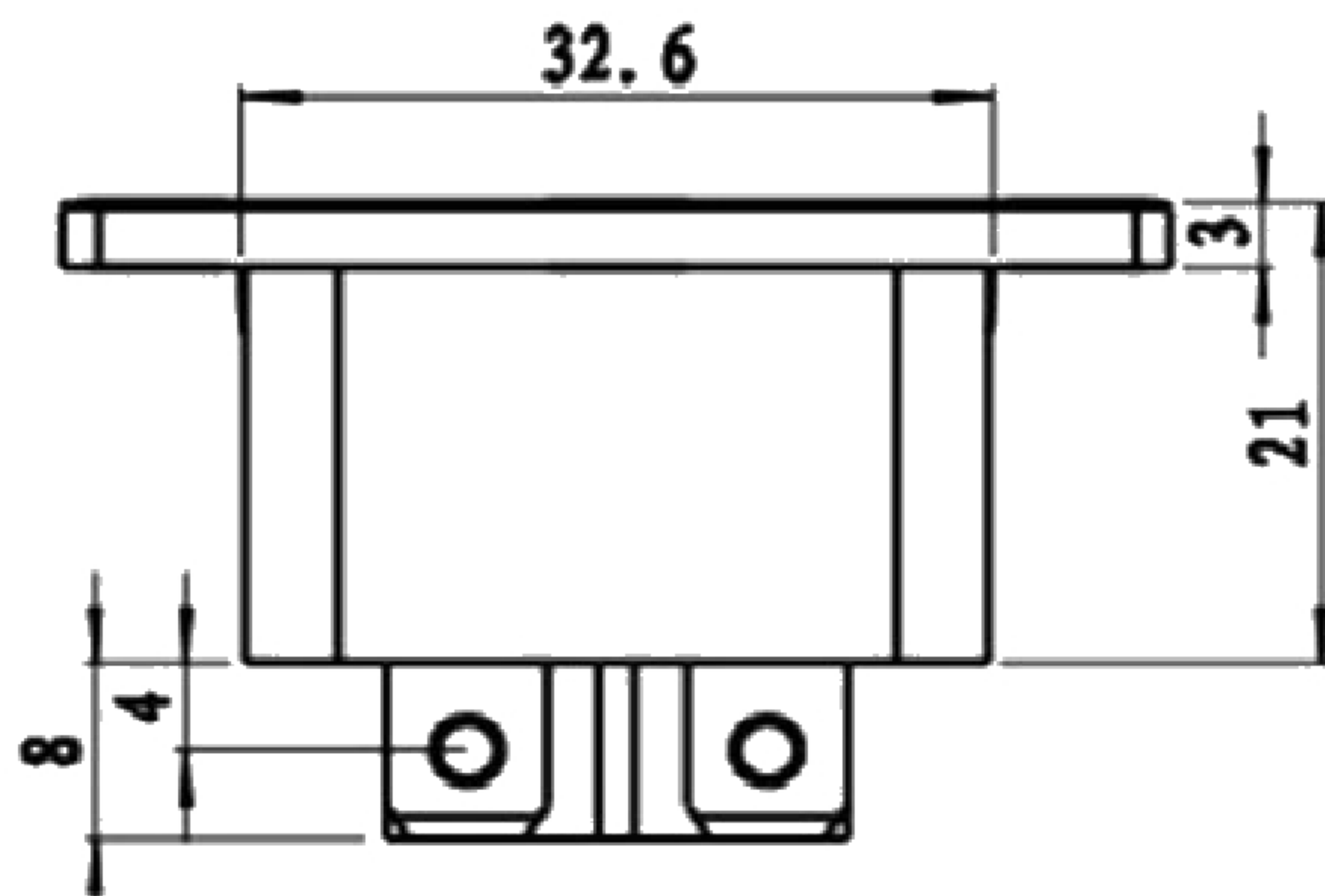
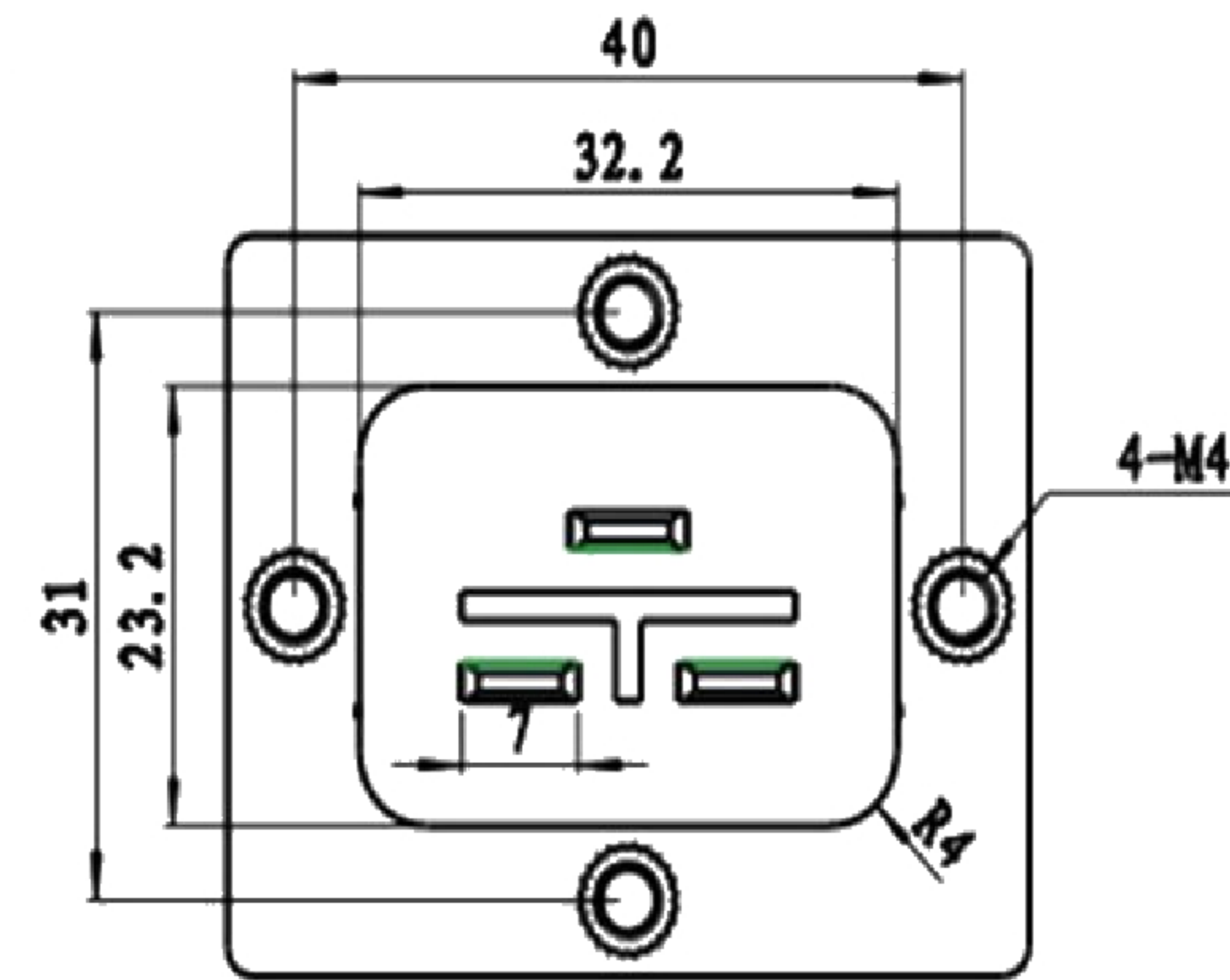


剖面 A-A



PANEL CUT-OUT

Rating:

16A 250V AC 3C

Insert And Extract Force: 1.36kgf - 6.8kgf

Terminal Strength: >80N

Operating Life: >5000 cycles

Withstand Voltage: Between all terminals: 2500VAC(50-60Hz) 1min

Terminals to Base: 3750V AC(50-60Hz) 1min

Leakage Current: 1mA

Insulation Resistance: >100ΩM 500V DC

Body Material: PBT 94V-2-0

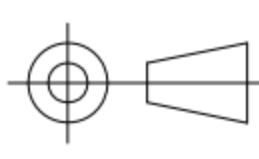


東莞市高迪電子有限公司
DONG GUAN GAO DI ELECTRONICS CO., LTD

TOLERANCE UNLESS OTHERWISE STATED:

Up to 5 ±0.2
Above 5 ~ 15 ±0.3
Above 15 ~ 30 ±0.4
Above 30 ~ 50 ±0.5
Angle ±0.3°

3RD. ANGEL'S



UNITS

MM

DRAWN BY: DATE
Ming Ming Zou 10/31/13
CHECKED BY: DATE
Ning Ning Su 10/31/13
APPROVED BY: DATE
Jia Xiang 10/31/13

MAT'L
FINISH
SCALE
SHEET NO.

TITLE
MODLE
DWG NO.
PART NO.

SWITCH
AC POWER SOCKET
GD-DB-2AT

SIZE
A4
VER
R

ITEM NO.	DESCRIPTION	DRAWN	DATE